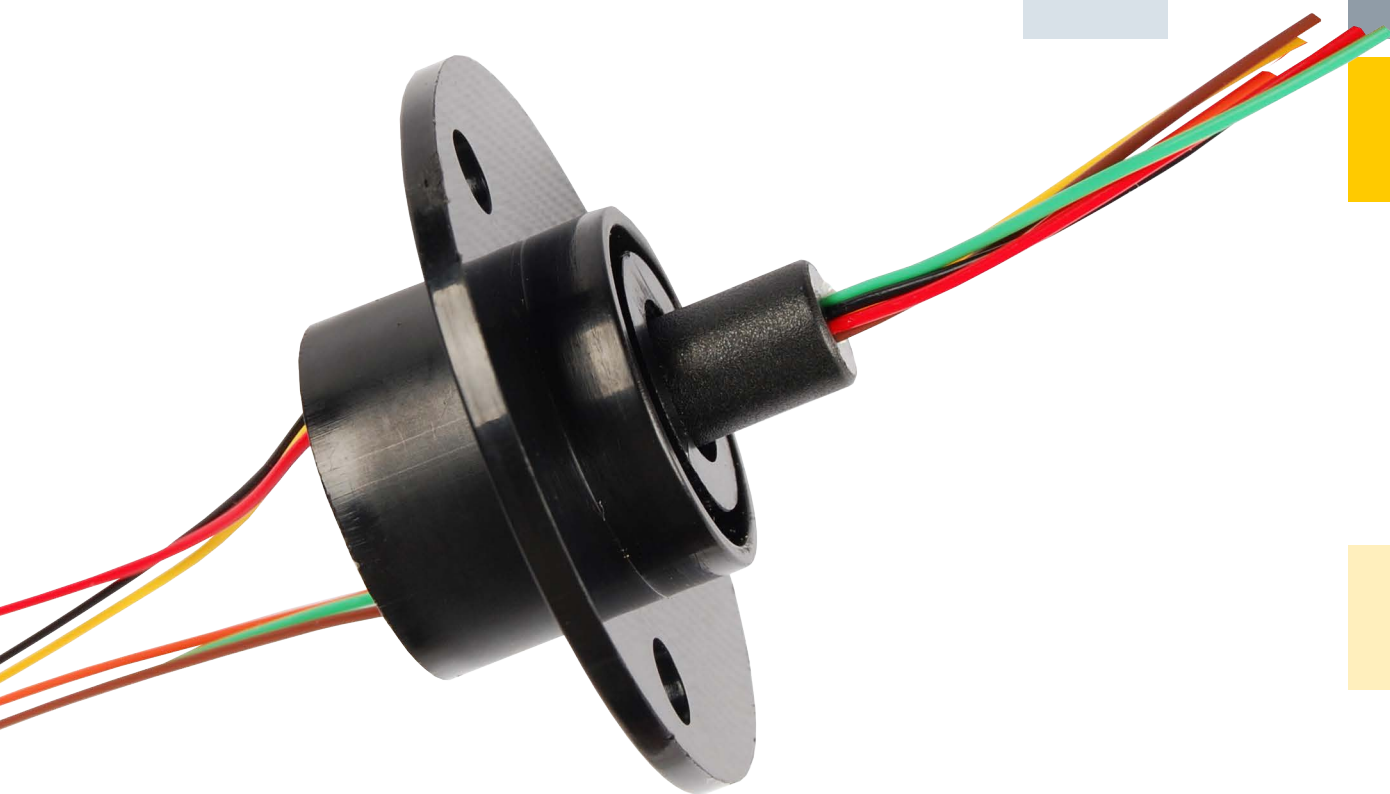


ROTARX[®]

Capsulated Miniature
Slip Rings



High-Performance Power,
Signal and Media Transmission

COMPACT SLIP RINGS

Our other available catalogues:

COMPACT SLIP RINGS SOLUTIONS (General catalogue)	(256 pages)
AUTOMATION SLIP RINGS	(32 pages)
THROUGH-BORE SLIP RINGS	(68 pages)
PANCAKE SLIP RINGS - with Housing - without Housing	(42 pages)
SEPARATE SLIP RINGS	(28 pages)
FASTON SLIP RINGS	(24 pages)
MINIATURE HYBRID SLIP RINGS	(24 pages)
HYBRID SLIP RINGS - Pneumatic / Liquid + Electric	(72 pages)
HYBRID SLIP RINGS - Ethernet + Electric	(34 pages)
HYBRID SLIP RINGS - USB + Electric	(30 pages)
HYBRID SLIP RINGS - Fiber Optical + Electric	(44 pages)
HYBRID SLIP RINGS - Coax + Electric	(40 pages)
HYBRID SLIP RINGS - HD-SDI (1080p)+ Electric	(26 pages)

CONTENT

THE COMPANY	4
SLIP RINGS TECHNOLOGY	6
SLIP RINGS APPLICATIONS	8
CAPSULATED MINIATURE SLIP RINGS	10
- RX-MIN06 Series	12
- RX-MIN08 Series	13
- RX-MIN09 Series	14
- RX-MIN10 Series	15
- RX-MIN11 Series	16
- RX-MIN13 Series	17
- RX-MIN16 Series	24
- RX-MIN20 Series	26
- RX-MIN22 Series	27
- RX-MIN25 Series	32
- RX-MIN36 Series	34
- RX-MIN54 Series	35
CUSTOMIZED SLIP RINGS	36
NOTES	42
REQUEST FORM	43



The Company

Quality and Safety

B-COMMAND was founded in 1995. Since more than 20 years the company has put its focus on **production and sales of electro technical components to all parts of the globe.**

In the early years B-COMMAND focused on electro-mechanical control solutions mainly for the national crane market. Throughout the years the sales area was widened to many international countries and the second main product focus became wind power technology. The company started developing and manufacturing of special limit switches for wind turbines which are still one of the major product lines today.

After more than 10 years of growth and success with electro-mechanical products, another different technology division was established: **electrical transmission technology.**

Due to many analogies with electro-mechanical products and many skilled engineers the new technology focus for transmission of power and signals had been implemented.

QUALITY MANAGEMENT
Certification 2017



Production & Warehouse

In the beginning the products for electrical transmission technology included simple slip rings for transmitting small power ratings from fixed to rotating parts into machines.

Today, in times of Industry 4.0 and industrial networks, the program contains more than **20.000 possible solutions with combined power and signal transmission, high-frequency solutions, different housing types and super-miniature solutions.**



Offices of our Headquarter Hamburg

Our technical expertise guarantees the right solution for your applications.

Since more than 10 years the company is certified according to **DIN EN ISO9001:2015 by TÜV in Germany.** All management and production processes are created and approved according to international standards. Especially a **flexible production structure allows short delivery times also for small volume orders or prototypes.**

The purchasing organization of B-COMMAND is internationally targeted. Raw material and production components are sourced from best-rated suppliers worldwide. A network of specialists for all materials is available for developing the best solution for the customers requirements resulting in a perfect fitting product for all individual projects.

B-COMMAND has an international sales network of distributors and sales partners for all regions. Some of the distributors even offer spare parts or series demand products from their own stock in the different countries.

CONTACT

B-COMMAND GmbH

Gruetzmuehlenweg 46
22339 DE Hamburg

T. +49 40-538092-50
F. +49 40-538092-85
E. info@b-command.com
W. www.b-command.com

All activities at B-COMMAND are focused on customer satisfaction. Creating perfect-fitting technical solutions with best quality for marked-based prices – this is our passion.



Slip Rings Technology

Slip rings are essential electromechanical parts of commercial or industrial machinery. They have to ensure transfer of data, media, energy and electrical signals in best possible conditions. This can only be realized by combination of a targeted design process, selection of best raw materials, professional production conditions, 100% quality control and skilled assembling on customer side.

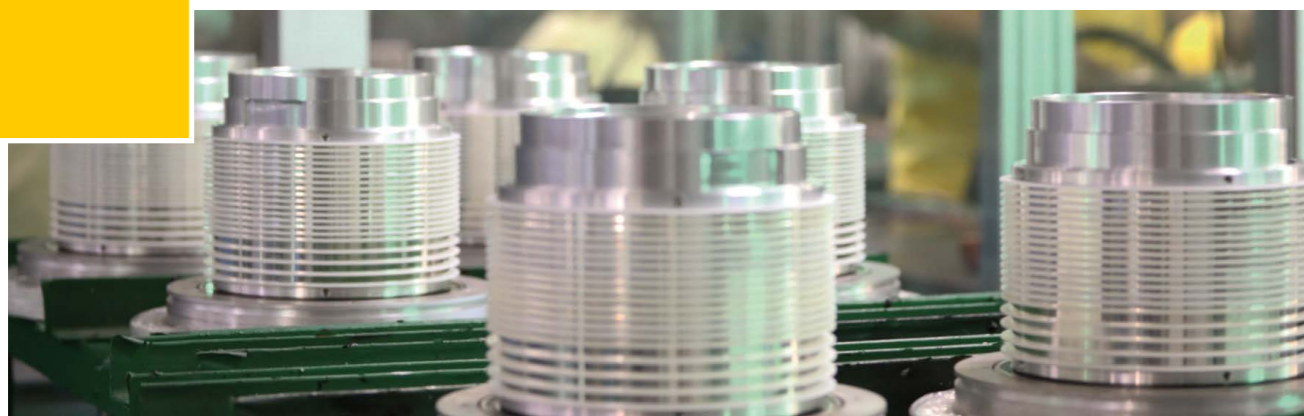


PREMIUM ENGINEERING

With many years experience and a deep knowledge of all relevant engineering disciplines, B-COMMAND engineering team can provide fast and innovative design solutions for customers around the world. Our engineers are constantly developing new designs and use new materials across a wide spectrum of diverse environments.

In order to ensure only premium-quality products B-COMMAND is able to undertake following tests in our in-house laboratory:

- Humidity Test
- Temperature Test
- Protection Degree Test
- Vibration / Shock Test
- High Pressure / Vacuum Test
- Torque Test
- High Voltage Test
- Large Current Test
- Salt Spray Test
- Load Test
- Electrical Noise Test
- Contact Resistance Test
- Lifetime Test
- Insulation Test
- Frequency Test
- Friction Test



ROTARX - MINIATURE SLIP RINGS

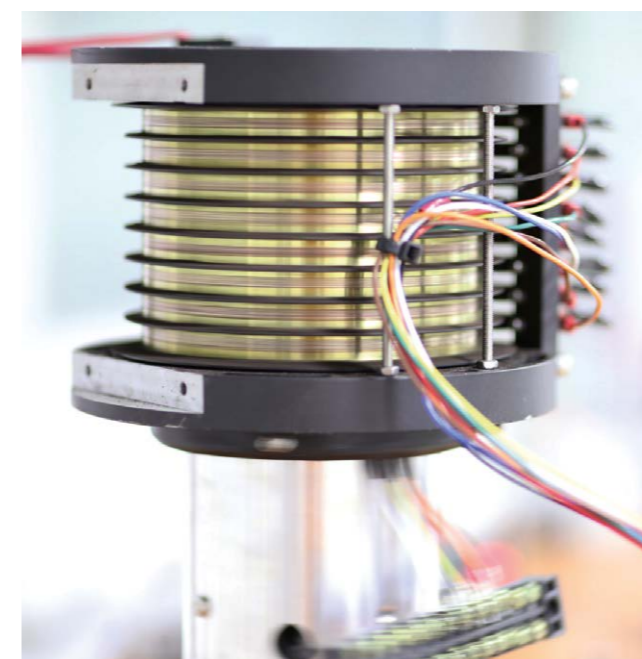
TOTAL QUALITY CONTROL

High production depth is the key to total quality control. Therefore B-COMMAND has established extended electrical and mechanical production capabilities. Different automatic and semi-automatic multiple axis CNC machining centers, grinding machines, milling machines and coating machines offer a wide range of mechanical options during production process. Only experts with long-term knowledge are operating our machinery in order to grant best quality products for our customers.



FLEXIBILITY

For B-COMMAND flexibility is not just a word, it is the basis of our organization. Flexible sales and R&D structures with capacity for extensive project inquiries from our customers are as well allocated as flexible production structures with high-volume series production and also fast-track options for small volume orders.



WWW.B-COMMAND.COM

INNOVATION

The willingness of lifelong-learning and permanent interest in new technological trends sets our engineering team apart. Industrial communication and electrical complexity of everyday life have moved to a new level and they are still developing fast. We keep an eye on all new technologies, new applications, new materials and forward-looking innovations which can improve or re-invent our products.

Slip Rings Applications



WIND POWER TECHNOLOGY

- Small Wind Turbines
- Multi-MW-Turbines
- Signal & Power Transmission



AEROSPACE TECHNOLOGY

- Drones
- Radars
- Thermal Imaging



ROBOTIC TECHNOLOGY

- Production Robots
- Inspection Robots
- Packaging Robots



CAMERA TECHNOLOGY

- TV-Cameras
- Security Cameras
- Inspection Cameras



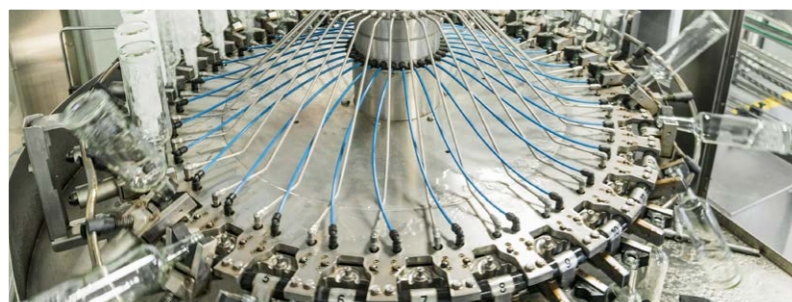
CRANE TECHNOLOGY

- Post Cranes
- Tower Cranes
- Mobile Cranes



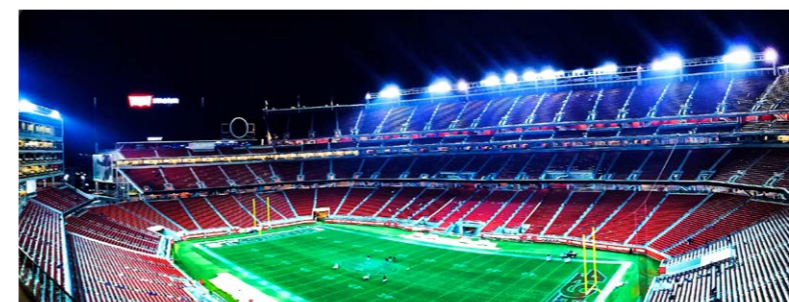
AMUSEMENT TECHNOLOGY

- Pendulum Rides
- Observation Wheel
- Merry-Go-Round



PACKAGING TECHNOLOGY

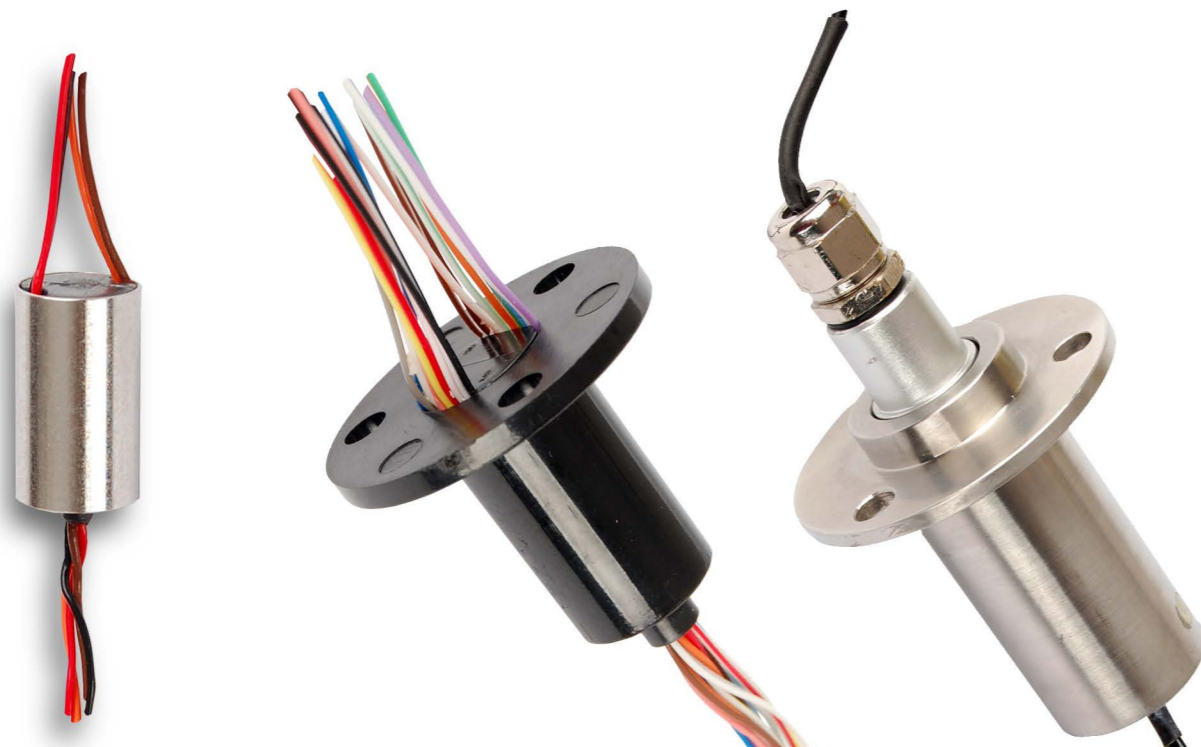
- Packaging Robots
- Filling Machines
- Capping Machines



STAGE TECHNOLOGY

- Rotating Stages
- Rotating Lights
- Revolving Platforms

RX-MIN Series



Optimal Signal Transmission
 Compact
 High Circuit Density
 RoHS2 CE

Everywhere where space is limited and critical our capsulated miniature slip rings can be used. The compact design can provide signal (Ethernet, USB, RS, CANbus, Video Signals, Sensor Signals e.g.) and / or power transmission in combination.

The slip rings are available from only 5,5mm outer diameter and 5 rings up to 54,0mm outer diameter and 125 rings. The housing is available with or without flange and plastic or aluminium material.

The capsulated miniature slip rings use the best advanced fiber brush technology and precious metal multi-contacting, they offer low electrical noise for high data rate field bus transmission, low contact pressure for long lifetime and they are maintenance free.

We offer standardized & modularized design and fully customizable products according to the special requirements of customers in different applications.

If you have specific customized requirements, please feel free to consult us in order to create the most suitable recommendation for your specification.

ADVANTAGES

- + Low Contact Resistance
- + Long Lifetime
- + Maintenance Free
- + 360° Continuous Rotation
- + Power & Signal Transmission
- + Customized Circuit Combinations
- + Small & Compact Design
- + Low Torque
- + Light Weight

MAIN APPLICATIONS

- > Medical Equipment
- > Rotating Platforms
- > Display & Demonstration
- > LED Lighting
- > Robotics
- > Hose & Cable Reels
- > Camera Technology

PRODUCT CODE

RX	-	MIN	AA	B	-	C	DD	-	EEE	FF	S
		1	2	3		4	5		6	7	8

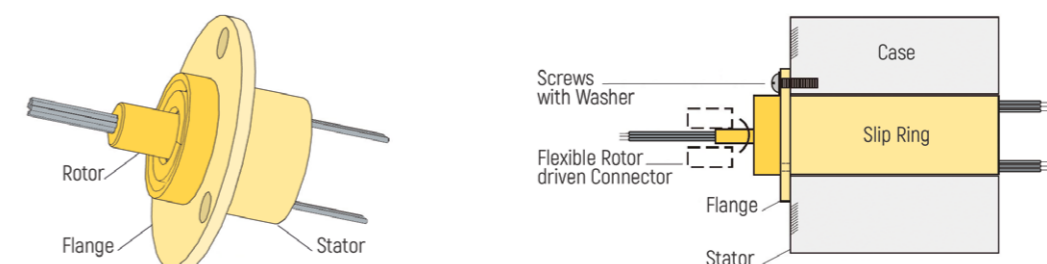
Example RX-MIN20A-P54-01202S
 (1) Miniature Slip Ring with (2) Outer Diameter 20mm, (3) Model A, (4) Plastic Housing, (5) IP54 protection degree, (6) 12 rings, (7) each 2A, (8) Standard Version

1	Series	MIN - Miniature Slip Rings	5	Protection Degree	54 - IP54 (standard) 65 - IP65 (only on request)
2	Outer Diameter	From 5,5mm to 54mm (see drawings for details)	6	Number of Circuits	From 3 rings to 125 rings
3	Model	(A-N) : Different Housing Models (see drawings for details)	7	Current Rating	01 - 1A each circuit 02 - 2A each circuit 10 - 10A each circuit
4	Housing Material	M - Metal (Aluminium Alloy or Stainless Steel on request) P - Engineering Plastic	8	Version	S - Standard C - Customized

SPECIFICATIONS

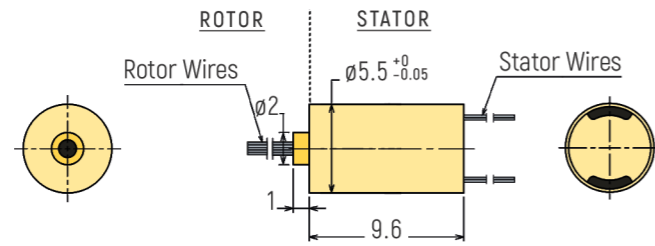
AUTOMATION SLIP RING SPECIFICATIONS	
NUMBER OF CIRCUITS	3-125
OPERATING SPEED	0-300 rpm
TEMPERATURE RANGE	-20°C to +60°C
ELECTRICAL SPECIFICATIONS	
CURRENT RATING	1A per circuit (type MIN06-MIN11) 2A per circuit (type MIN13-MIN54) 10A per circuit (only type MIN22A)
VOLTAGE RATING	240 VAC/DC
DIELECTRIC STRENGTH	≥500V @50Hz between each circuit
ELECTRICAL NOISE	max 35mΩ
INSULATION RESISTANCE	1000 MΩ @ 500 VDC
MECHANICAL SPECIFICATIONS	
CONTACT MATERIAL	Precious Metal
LEAD CABLE SIZE	AWG30 silver plated copper Teflon UL (type MIN06-MIN16) AWG28 silver plated copper Teflon UL (type MIN20-MIN54)
LEAD CABLE LENGTH	Standard 250mm (Rotor/Stator)
HOUSING MATERIAL	Engineering plastic or metal (Aluminium Alloy - Stainless Steel on request)
PROTECTION DEGREE	IP54 (higher or lower on request)

MOUNTING OF CAPSULATED SLIP RINGS



RX-MIN06A

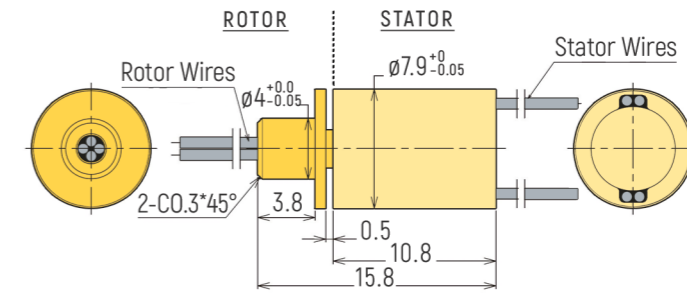
5 Rings / 1A



MODEL	HOUSING MATERIAL
RX-MIN06A-M54-00501S	Aluminium
RX-MIN06A-P54-00501S	Plastic

RX-MIN08A

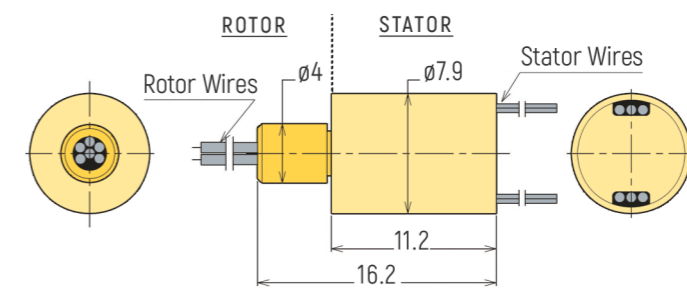
4 Rings / 1A



MODEL	HOUSING MATERIAL
RX-MIN08A-M54-00401S	Aluminium
RX-MIN08B-P54-00401S	Plastic

RX-MIN08B

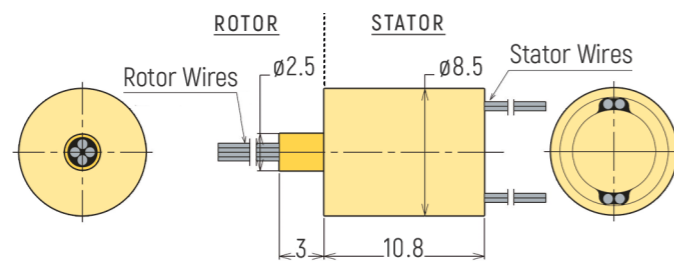
6 Rings / 1A



MODEL	HOUSING MATERIAL
RX-MIN08B-M54-00601S	Aluminium
RX-MIN08B-P54-00601S	Plastic

RX-MIN09A

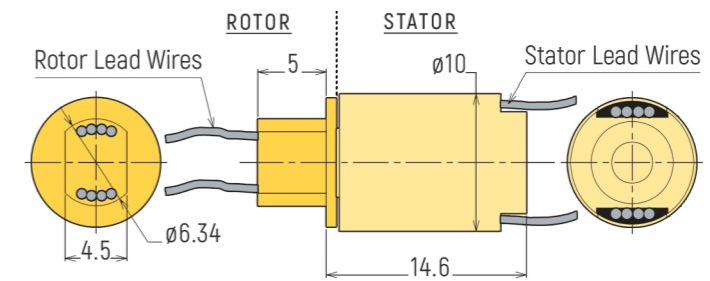
4 Rings / 1A



MODEL	HOUSING MATERIAL
RX-MIN09A-M54-00401S	Aluminium
RX-MIN09A-P54-00401S	Plastic

RX-MIN10A

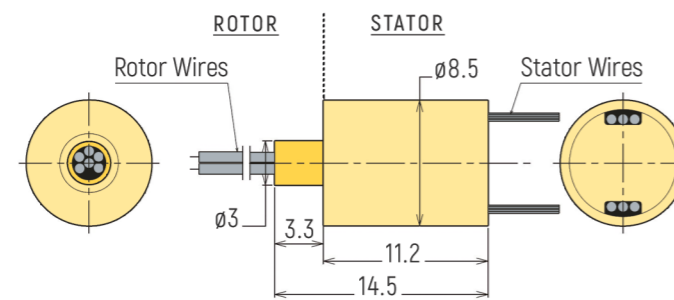
8 Rings / 1A



MODEL	HOUSING MATERIAL
RX-MIN10A-M54-00801S	Aluminium
RX-MIN10A-P54-00801S	Plastic

RX-MIN09B

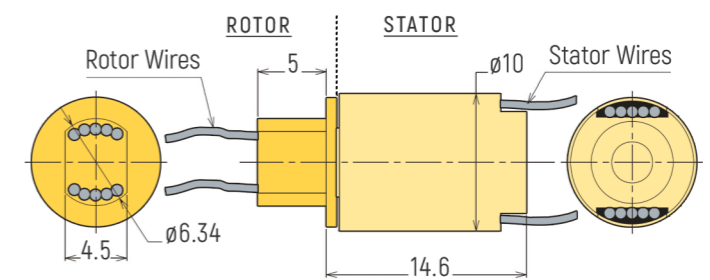
6 Rings / 1A



MODEL	HOUSING MATERIAL
RX-MIN09B-M54-00601S	Aluminium
RX-MIN09B-P54-00601S	Plastic

RX-MIN10B

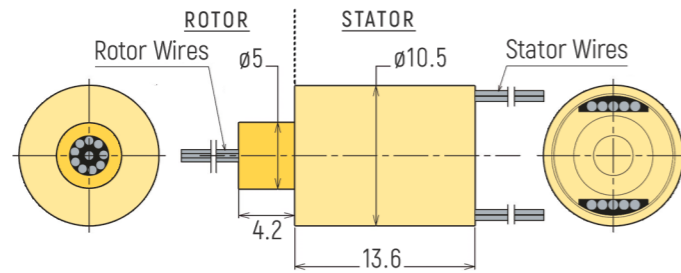
10 Rings / 1A



MODEL	HOUSING MATERIAL
RX-MIN10B-M54-01001S	Aluminium
RX-MIN10B-P54-01001S	Plastic

RX-MIN11A

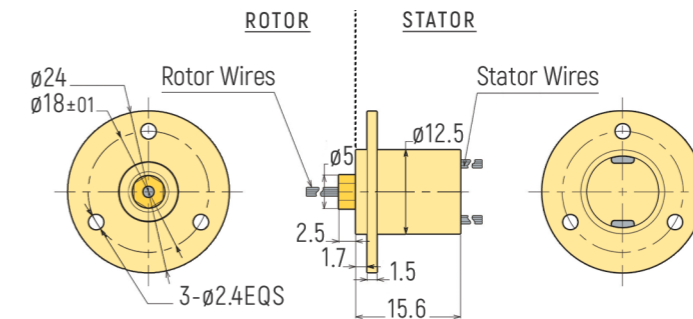
10 Rings / 1A



MODEL	HOUSING MATERIAL
RX-MIN11A-M54-01001S	Aluminium
RX-MIN11A-P54-01001S	Plastic

RX-MIN13A

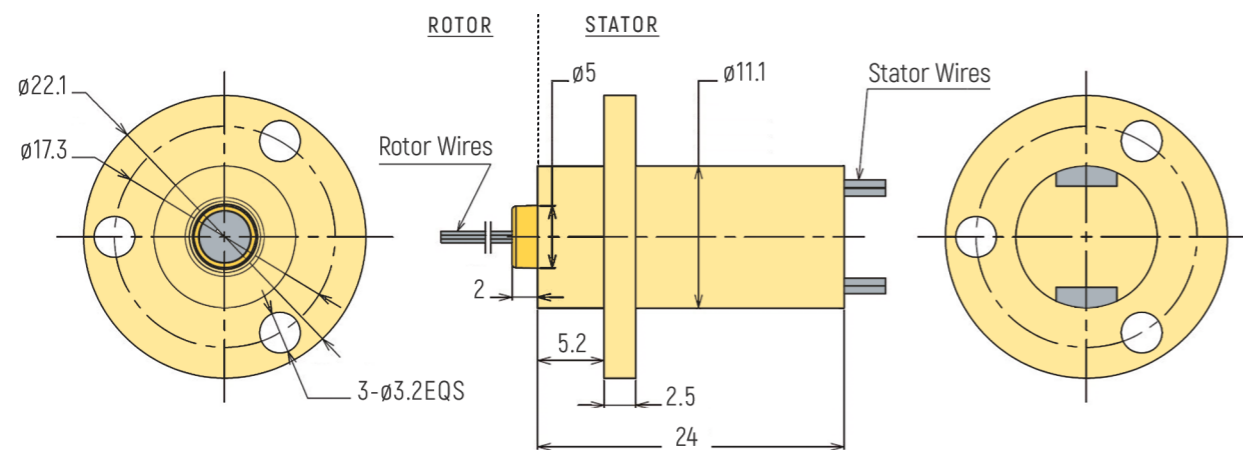
4 Rings / 2A



MODEL	HOUSING MATERIAL
RX-MIN13A-M54-00402S	Aluminium
RX-MIN13A-P54-00402S	Plastic

RX-MIN11B

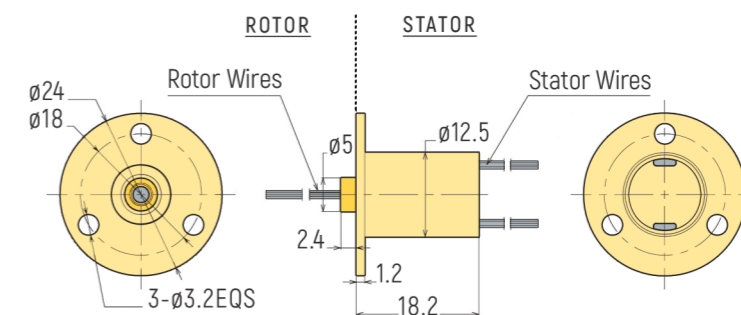
12 Rings / 1A



MODEL	HOUSING MATERIAL
RX-MIN11B-M54-01201S	Aluminium
RX-MIN11B-P54-01201S	Plastic

RX-MIN13B

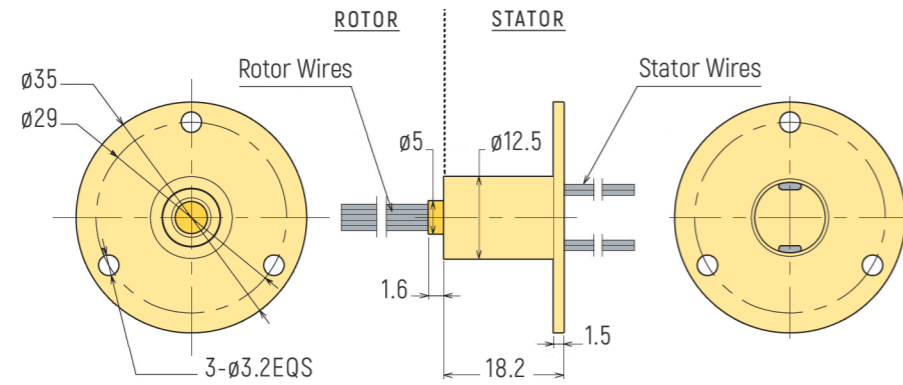
6 Rings / 2A



MODEL	HOUSING MATERIAL
RX-MIN13B-M54-00602S	Aluminium
RX-MIN13B-P54-00602S	Plastic

RX-MIN13C

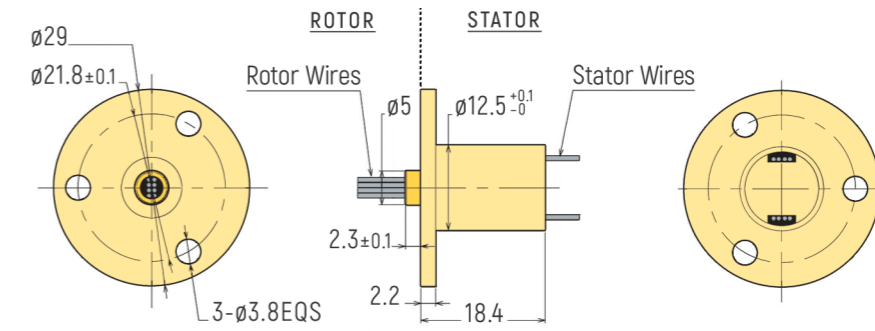
6 Rings / 2A



MODEL	HOUSING MATERIAL
RX-MIN13C-M54-00602S	Aluminium
RX-MIN13C-P54-00402S	Plastic

RX-MIN13E

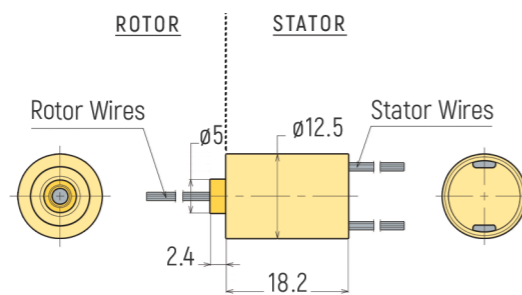
8 Rings / 2A



MODEL	HOUSING MATERIAL
RX-MIN13E-M54-00802S	Aluminium
RX-MIN13E-P54-00802S	Plastic

RX-MIN13D

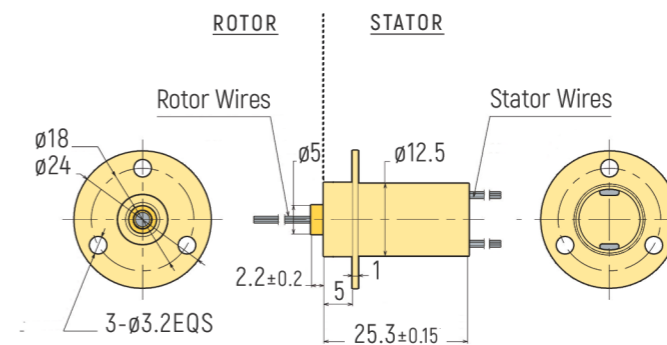
6 Rings / 2A



MODEL	HOUSING MATERIAL
RX-MIN13D-M54-00602S	Aluminium
RX-MIN13D-P54-00602S	Plastic

RX-MIN13F

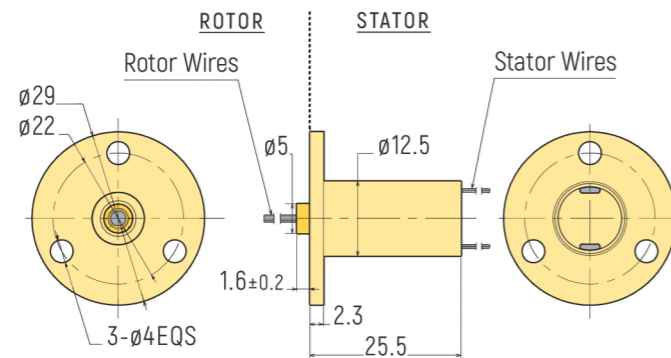
12 Rings / 2A



MODEL	HOUSING MATERIAL
RX-MIN13F-M54-01202S	Aluminium
RX-MIN13F-P54-01202S	Plastic

RX-MIN13G

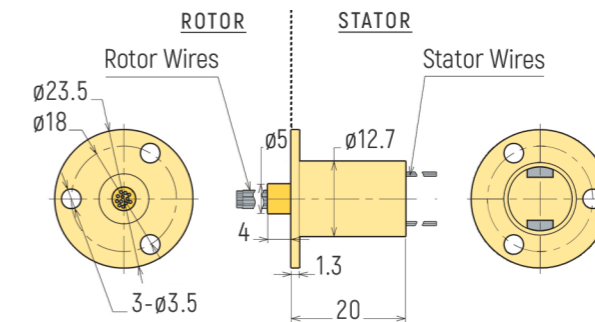
12 Rings / 2A



MODEL	HOUSING MATERIAL
RX-MIN13G-M54-01202S	Aluminium
RX-MIN13G-P54-01202S	Plastic

RX-MIN13I

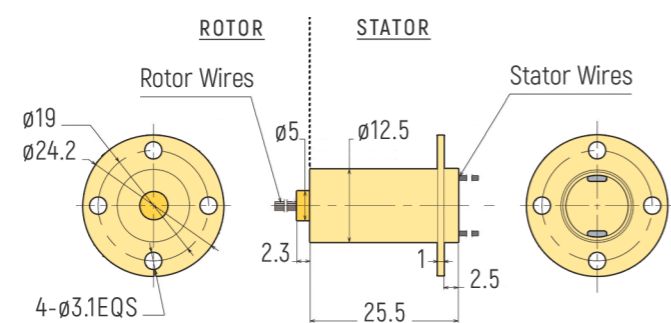
12 Rings / 2A



MODEL	HOUSING MATERIAL
RX-MIN13I-M54-01202S	Aluminium
RX-MIN13I-P54-01202S	Plastic

RX-MIN13H

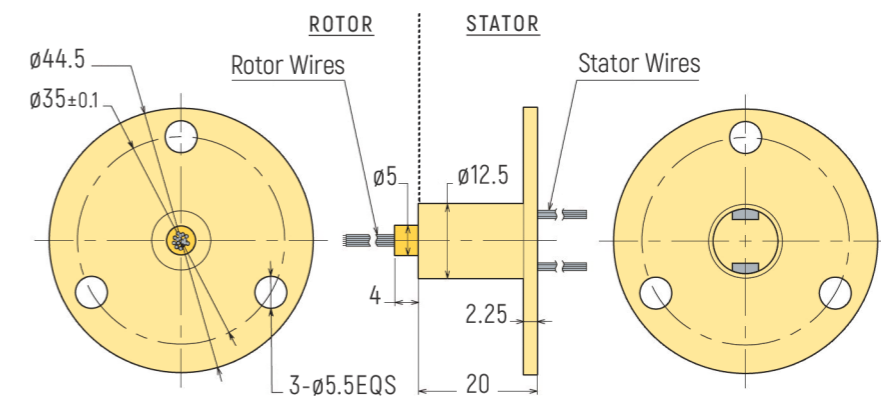
12 Rings / 2A



MODEL	HOUSING MATERIAL
RX-MIN13H-M54-01202S	Aluminium
RX-MIN13H-P54-01202S	Plastic

RX-MIN13J

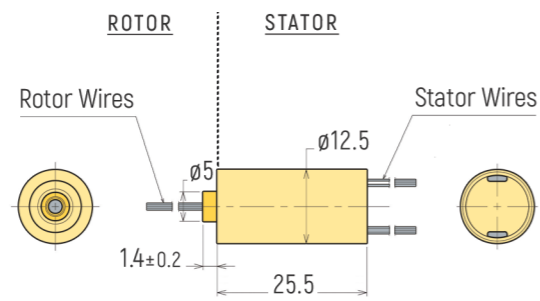
12 Rings / 2A



MODEL	HOUSING MATERIAL
RX-MIN13J-M54-01202S	Aluminium
RX-MIN13J-P54-01202S	Plastic

RX-MIN13K

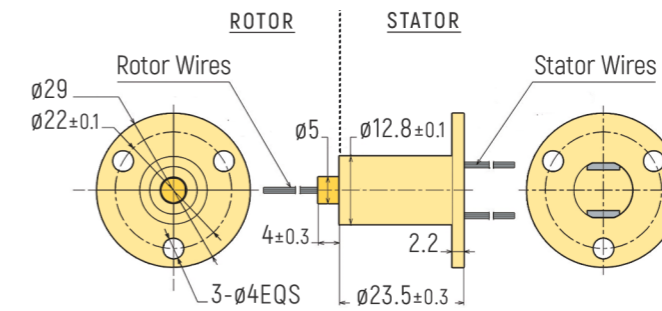
12 Rings / 2A



MODEL	HOUSING MATERIAL
RX-MIN13K-M54-01202S	Aluminium
RX-MIN13K-P54-01202S	Plastic

RX-MIN13M

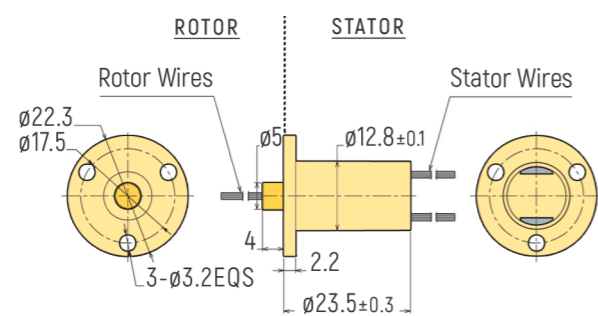
18 Rings / 2A



MODEL	HOUSING MATERIAL
RX-MIN13M-M54-01802S	Aluminium
RX-MIN13M-P54-01802S	Plastic

RX-MIN13L

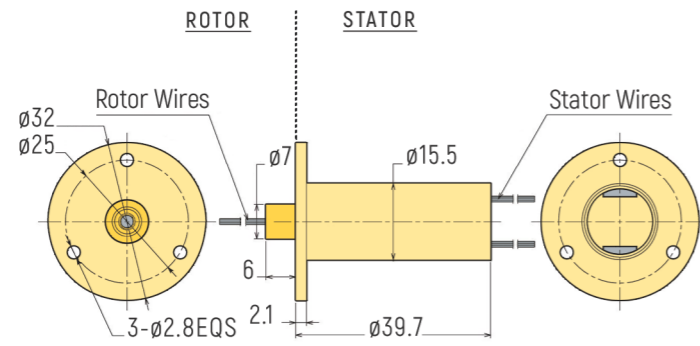
18 Rings / 2A



MODEL	HOUSING MATERIAL
RX-MIN13L-M54-01802S	Aluminium
RX-MIN13L-P54-01802S	Plastic

RX-MIN16A

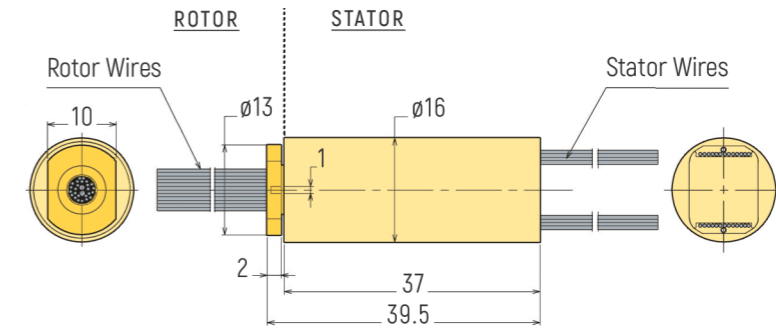
24 Rings / 2A



MODEL	HOUSING MATERIAL
RX-MIN16A-M54-02402S	Aluminium
RX-MIN16A-P54-02402S	Plastic

RX-MIN16C

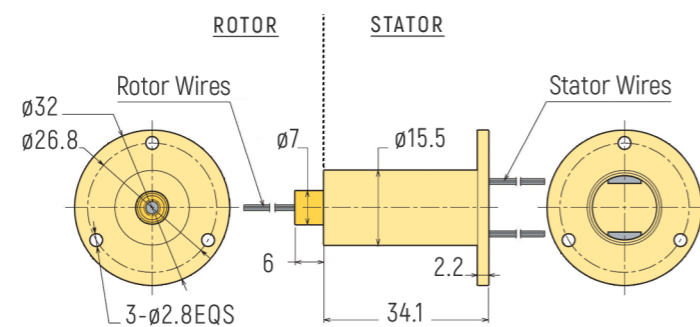
30 Rings / 2A



MODEL	HOUSING MATERIAL
RX-MIN16C-M54-03002S	Aluminium
RX-MIN16C-P54-03002S	Plastic

RX-MIN16B

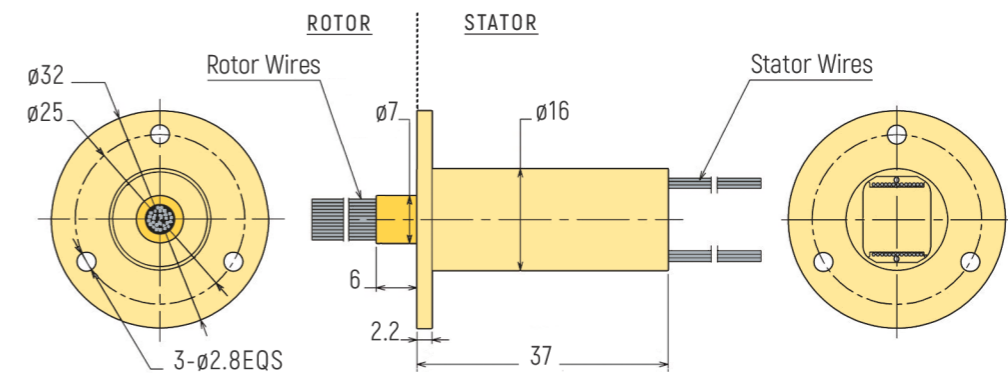
24 Rings / 2A



MODEL	HOUSING MATERIAL
RX-MIN16B-M54-02402S	Aluminium
RX-MIN16B-P54-02402S	Plastic

RX-MIN16D

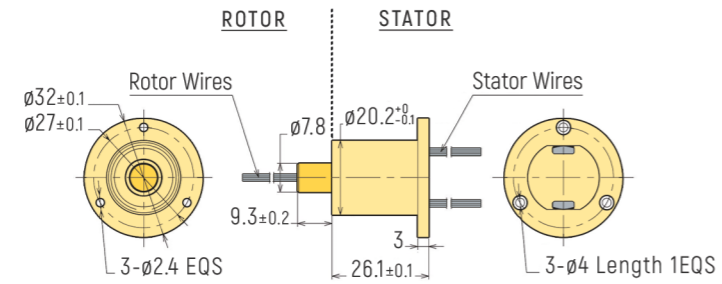
30 Rings / 2A



MODEL	HOUSING MATERIAL
RX-MIN16D-M54-03002S	Aluminium
RX-MIN16D-P54-03002S	Plastic

RX-MIN20A

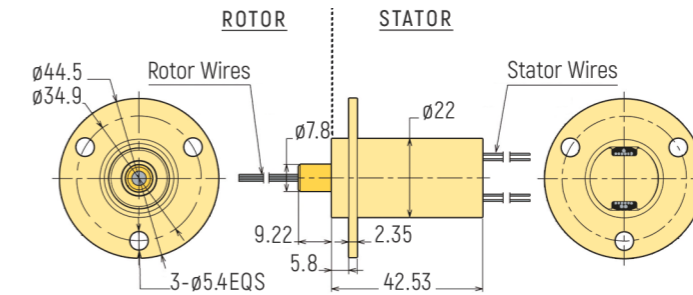
12 Rings / 2A



MODEL	HOUSING MATERIAL
RX-MIN20A-M54-01202S	Aluminium
RX-MIN20A-P54-01202S	Plastic

RX-MIN22A

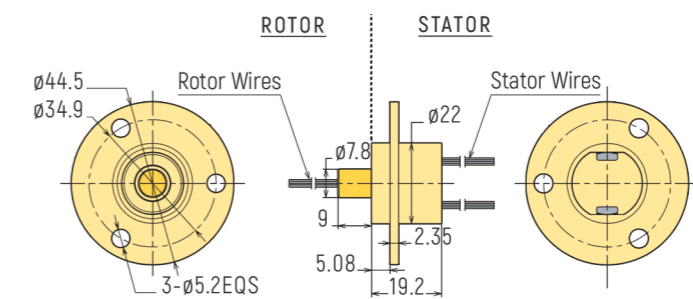
3 Rings / 10A



MODEL	HOUSING MATERIAL
RX-MIN22A-M54-00310S	Aluminium
RX-MIN22A-P54-00310S	Plastic

RX-MIN22B

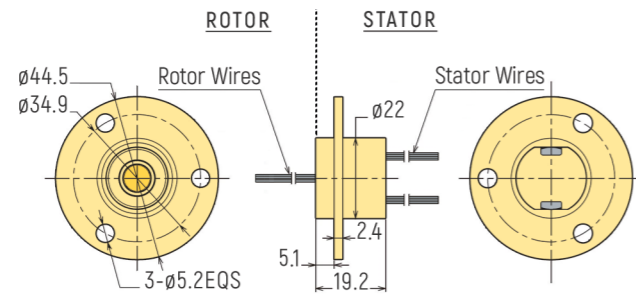
6 Rings / 2A



MODEL	HOUSING MATERIAL
RX-MIN22B-M54-00602S	Aluminium
RX-MIN22B-P54-00602S	Plastic

RX-MIN22C

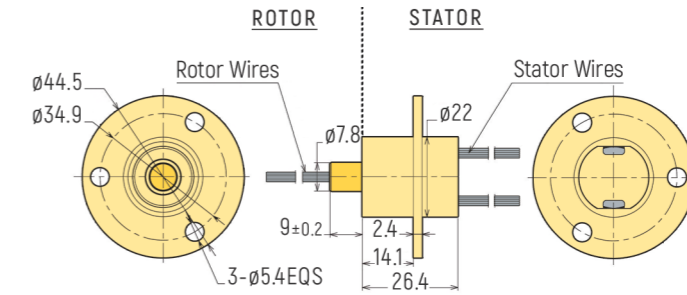
6 Rings / 2A



MODEL	HOUSING MATERIAL
RX-MIN22C-M54-00602S	Aluminium
RX-MIN22C-P54-00602S	Plastic

RX-MIN22F

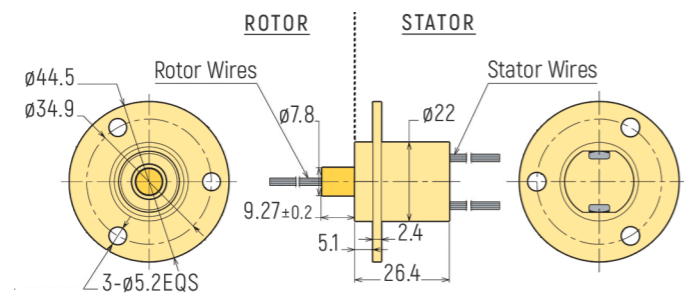
12 Rings / 2A



MODEL	HOUSING MATERIAL
RX-MIN22F-M54-01202S	Aluminium
RX-MIN22F-P54-01202S	Plastic

RX-MIN22D

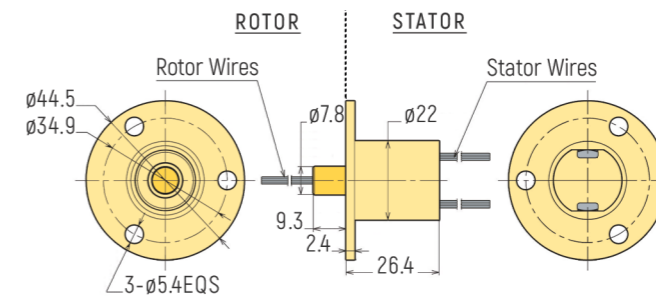
12 Rings / 2A



MODEL	HOUSING MATERIAL
RX-MIN22D-M54-01202S	Aluminium
RX-MIN22D-P54-01202S	Plastic

RX-MIN22G

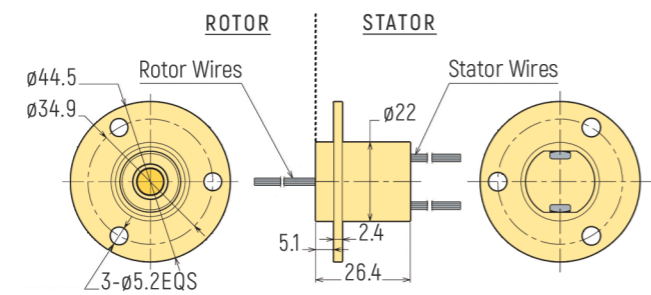
12 Rings / 2A



MODEL	HOUSING MATERIAL
RX-MIN22G-M54-01202S	Aluminium
RX-MIN22G-P54-01202S	Plastic

RX-MIN22E

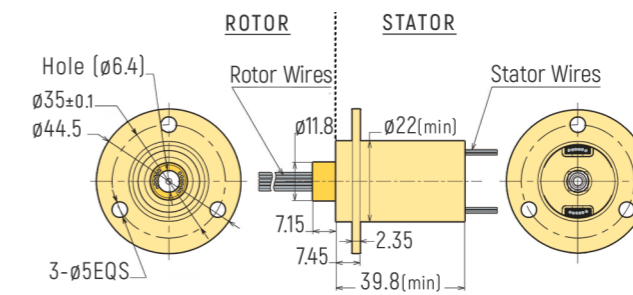
12 Rings / 2A



MODEL	HOUSING MATERIAL
RX-MIN22E-M54-01202S	Aluminium
RX-MIN22E-P54-01202S	Plastic

RX-MIN22H

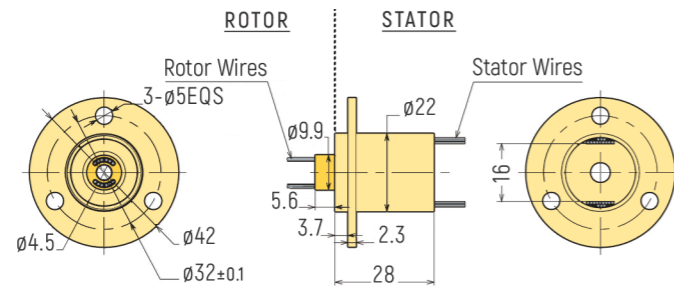
12 Rings / 2A



MODEL	HOUSING MATERIAL
RX-MIN22H-M54-01202S	Aluminium
RX-MIN22H-P54-01202S	Plastic

RX-MIN22I

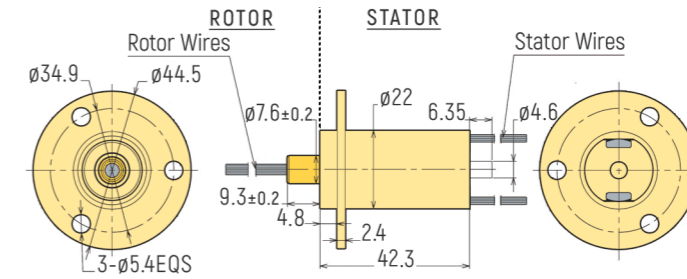
12 Rings / 2A



MODEL	HOUSING MATERIAL
RX-MIN22I-M54-01202S	Aluminium
RX-MIN22I-P54-01202S	Plastic

RX-MIN22L

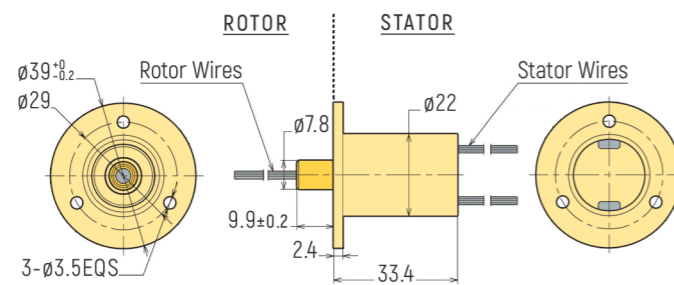
24 Rings / 2A



MODEL	HOUSING MATERIAL
RX-MIN22L-M54-02402S	Aluminium
RX-MIN22L-P54-02402S	Plastic

RX-MIN22J

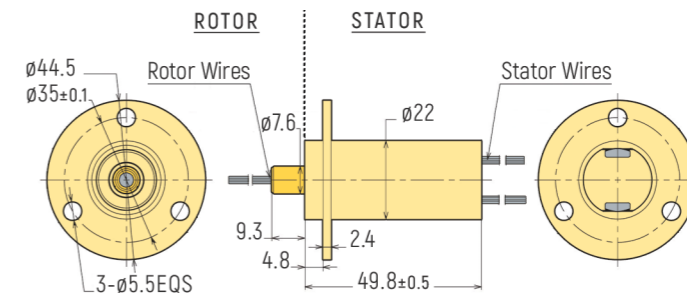
18 Rings / 2A



MODEL	HOUSING MATERIAL
RX-MIN22J-M54-01802S	Aluminium
RX-MIN22J-P54-01802S	Plastic

RX-MIN22M

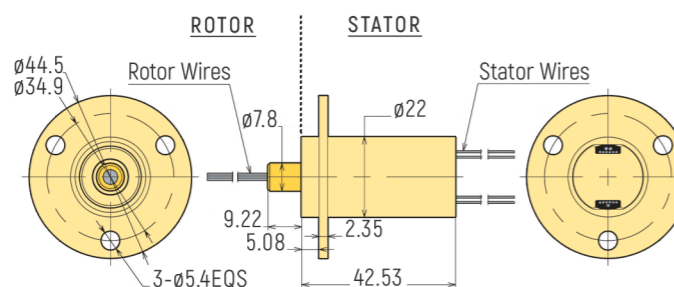
30 Rings / 2A



MODEL	HOUSING MATERIAL
RX-MIN22M-M54-03002S	Aluminium
RX-MIN22M-P54-03002S	Plastic

RX-MIN22K

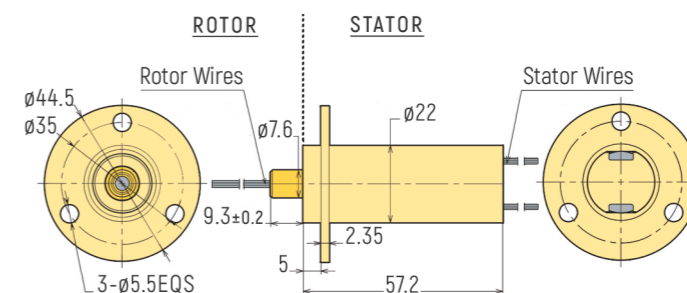
24 Rings / 2A



MODEL	HOUSING MATERIAL
RX-MIN22K-M54-02402S	Aluminium
RX-MIN22K-P54-02402S	Plastic

RX-MIN22N

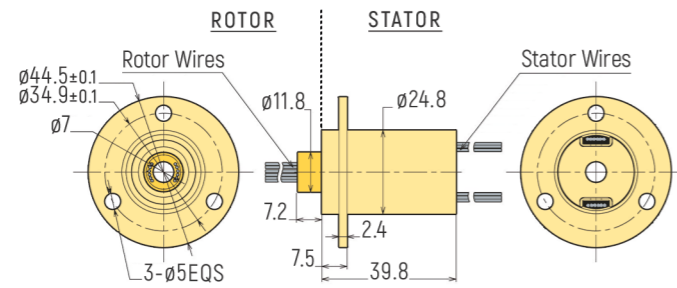
36 Rings / 2A



MODEL	HOUSING MATERIAL
RX-MIN22N-M54-03602S	Aluminium
RX-MIN22N-P54-03602S	Plastic

RX-MIN25A

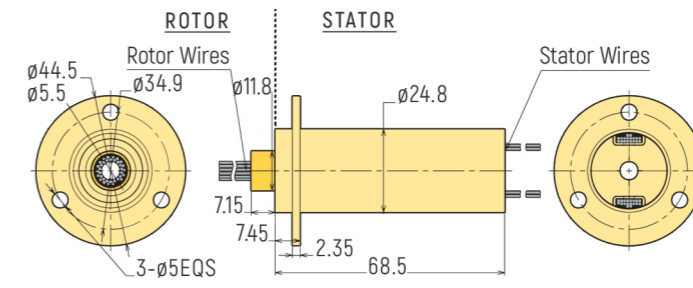
12 Rings / 2A



MODEL	HOUSING MATERIAL
RX-MIN25A-M54-01202S	Aluminium
RX-MIN25A-P54-01202S	Plastic

RX-MIN25D

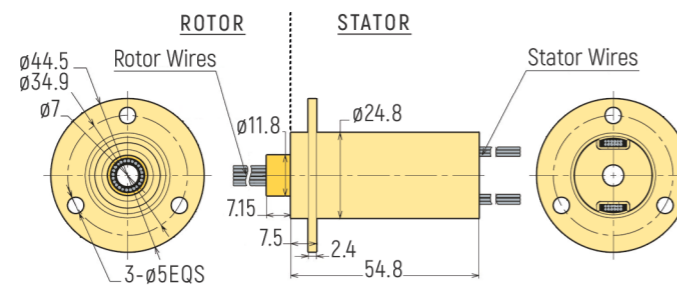
36 Rings / 2A



MODEL	HOUSING MATERIAL
RX-MIN25D-M54-03602S	Aluminium
RX-MIN25D-P54-03602S	Plastic

RX-MIN25B

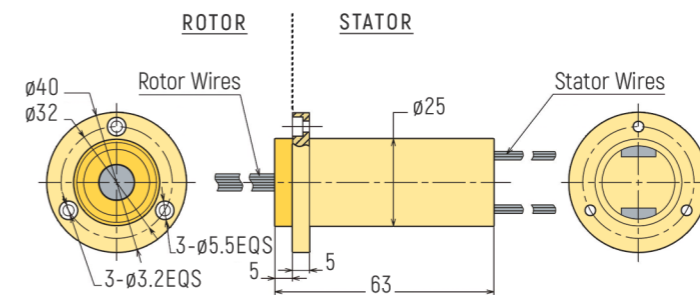
24 Rings / 2A



MODEL	HOUSING MATERIAL
RX-MIN25B-M54-02402S	Aluminium
RX-MIN25B-P54-02402S	Plastic

RX-MIN25E

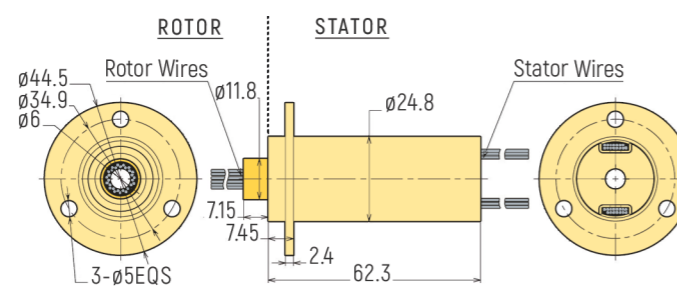
56 Rings / 2A



MODEL	HOUSING MATERIAL
RX-MIN25E-M54-05602S	Aluminium
RX-MIN25E-P54-05602S	Plastic

RX-MIN25C

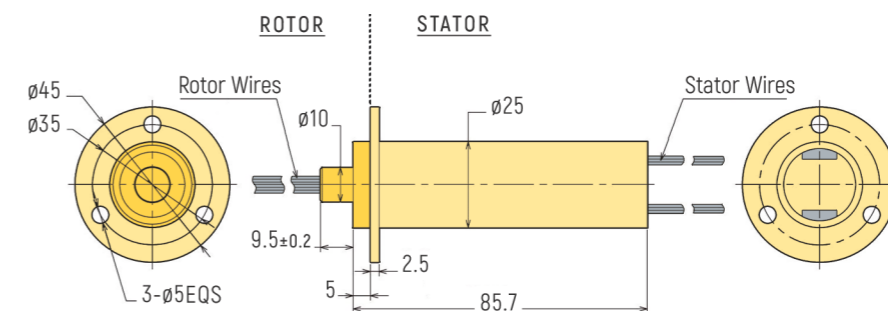
30 Rings / 2A



MODEL	HOUSING MATERIAL
RX-MIN25C-M54-03002S	Aluminium
RX-MIN25C-P54-03002S	Plastic

RX-MIN25F

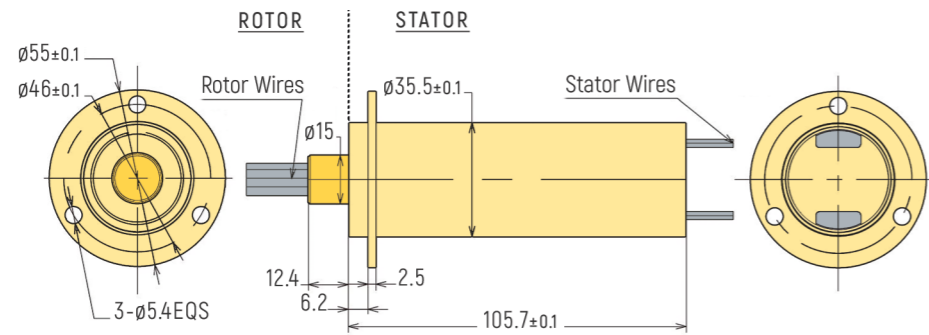
56 Rings / 2A



MODEL	HOUSING MATERIAL
RX-MIN25F-M54-05602S	Aluminium
RX-MIN25F-P54-05602S	Plastic

RX-MIN36A

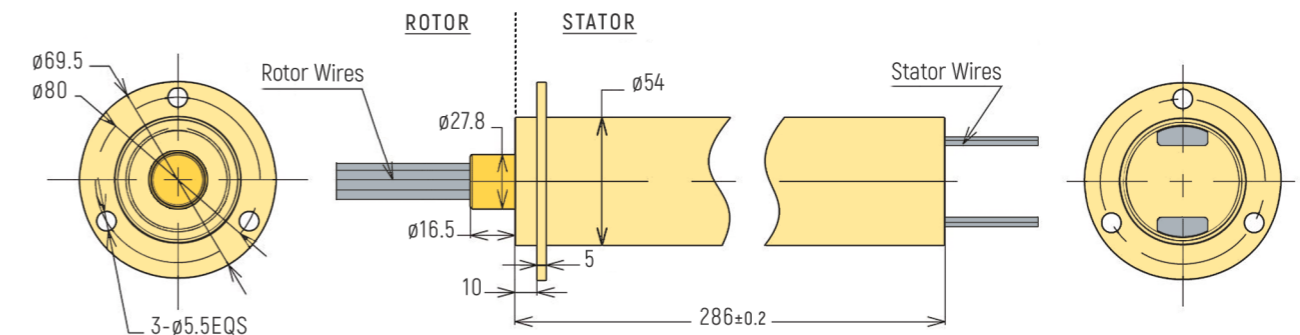
76 Rings / 2A



MODEL	HOUSING MATERIAL
RX-MIN36A-M54-07602S	Aluminium
RX-MIN36A-P54-07602S	Plastic

RX-MIN54A

125 Rings / 2A



MODEL	HOUSING MATERIAL
RX-MIN54A-M54-12502S	Aluminium
RX-MIN54A-P54-12502S	Plastic

Customized Slip Rings



HYBRID SLIP RING FOR WATER, POWER AND SIGNAL TRANSMISSION

- 12 x 10A power, 1 x gigabit Ethernet, 1 x water leadthrough
- Harting connector for power lines
- Housing material aluminium

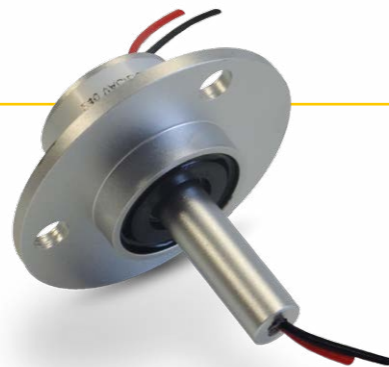


MEDIUM SIZE SLIP RING WITH MASSIVE FLANGE

- Axial cable outtake rotor, radial cable outtake stator
- Steel housing in customized color
- Special cable protection sleeve

MINIATURE METAL HOUSING WITH ELONGATED ROTOR SHAPE

- Special rotor design acc. to customer specification
- 4 x 2A signal rings
- Protection degree IP65



LARGE SLIP RING FOR MARITIME APPLICATIONS

- Outer diameter 14 meters, inner diameter 0.7 meters
- Housing material steel, color similar to maritime vessel
- Inspection porthole

MEDIUM SIZE SLIP RING WITH MASSIVE FLANGE

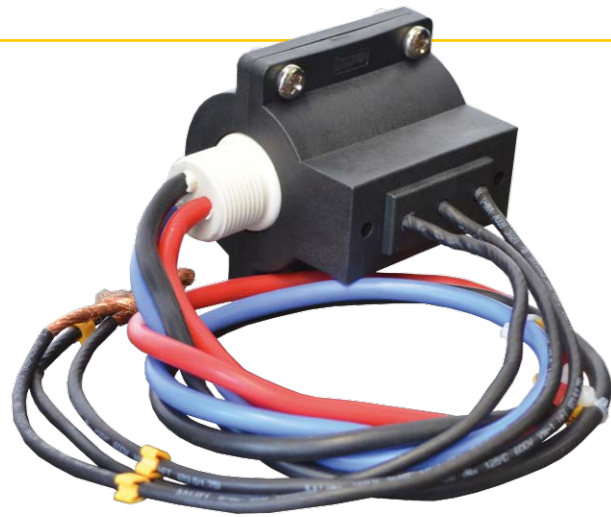
- Aluminium rotor flange with customized boreholes
- Flange thickness 13mm
- Protection degree IP65



HYBRID MEDIUM SIZE HOLLOW-SHAFT SLIP RING

- 10 x 10A signal transmission + EtherCat signals
- Massive housing for heavy-duty-applications
- Special flange and double-anti-rotation-tabs



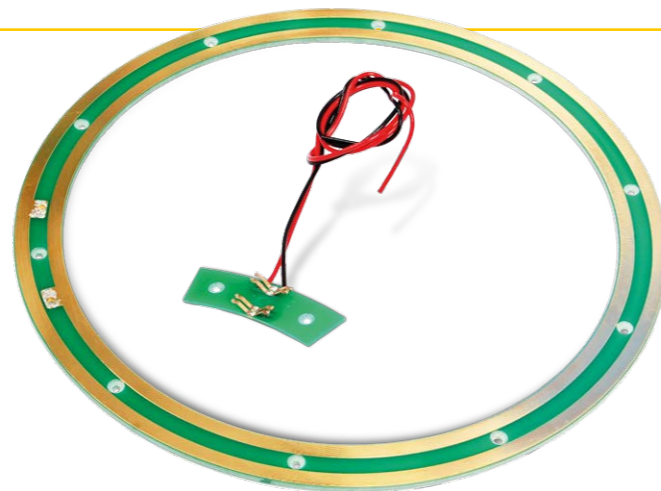


MINIATURE POWER SLIP RING WITH CUSTOMIZED HOUSING

- 3 x 63A power transmission on minimum space
- Special plastic housing
- Cable color code according to customer requirement

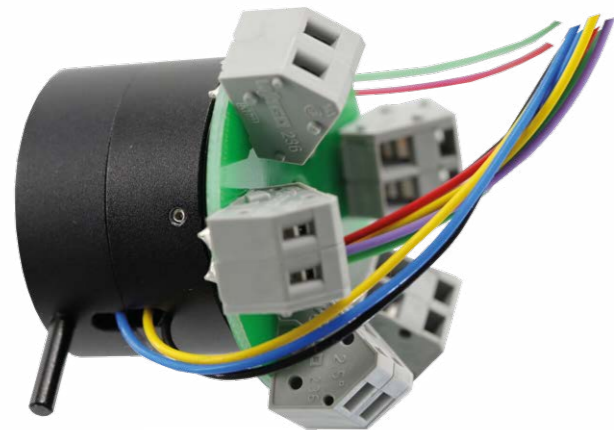
PANCAKE SLIP RING WITHOUT HOUSING

- Special diameter according to customer machine
- 2 rings for power transmission
- Brushholder with customized fixing holes and cable



MINIATURE SIZE SLIP RING WAGO CONNECTORS ON PCB

- 16 x 2A signal transmission
- Customized PCB with WAGO connectors for cable connection
- Special housing design with anti-rotation-bar



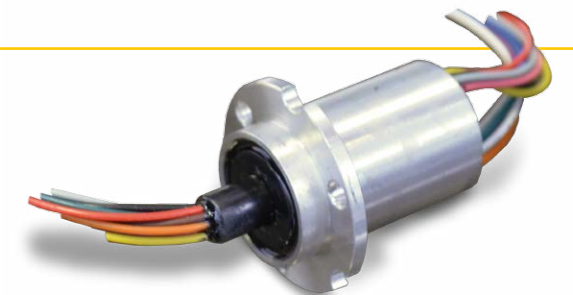
HYBRID MEDIUM SIZE SLIP RING WITH FIBER OPTIC AND COAX TRANSMISSION

- Customized housing shape with special rotor design
- Gearwheel teeth shape integrated in rotor design
- FORJ Fiber Optic + COAX transmission



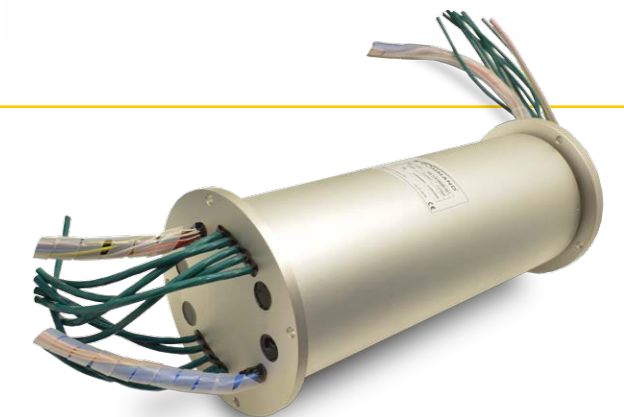
MINIATURE SLIP RING WITH CUSTOMIZED FLANGE

- 10 x 2A signal transmission
- Flange position and shape customized
- Cable color code according to customer requirement



LARGE METAL HOUSING WITH POWER / DATA TRANSMISSION

- Dimensions housing according to customer specification
- 86 Rings (63A, 32A, 16A, HD-SDI, EtherCat, Analogue)
- Special CAT7E data-cable with 10 meter length



MINIATURE SLIP RING WITH 128 RINGS

- Aluminium housing with rotor flange
- 128 signal rings for data transmission
- Protection degree IP65





SLIP RING WITH INTEGRATED CONNECTORS

- Customized fixation boreholes
- Customized connectors and cable with connectors
- Double anti-rotation-tab on stator side

MEDIUM SIZE HOLLOW-SHAFT SLIP RING WITH CONNECTORS

- 4 x customized connectors for signal transmission
- Aluminium housing with 150mm free inner diameter
- Housing without flange, axial cable outtakes



HYBRID MEDIUM SIZE SLIP RING WITH DOUBLE COAX LINE AND POWER TRANSMISSION

- Customized metal housing without flange
- 2 x COAX lines + several power rings
- Special cable protection sleeve and cable fixation

HYBRID MEDIUM SIZE SLIP RING WITH FIBER OPTIC AND POWER LINES

- Customized aluminium housing without flange
- FORJ Fiber Optic + power transmission
- Stainless steel rotor with cable protection sleeve

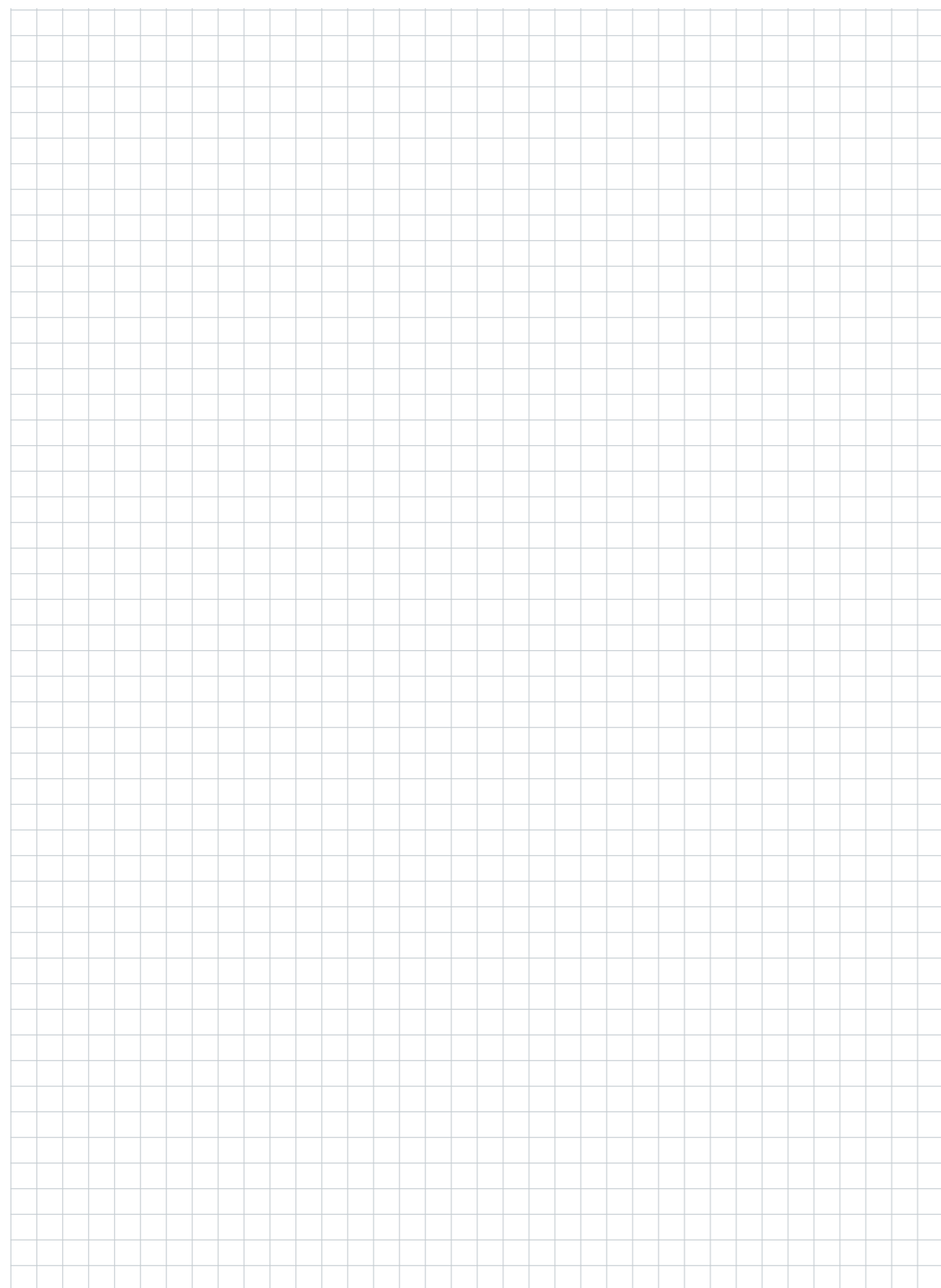


HYBRID MINIATURE SLIP RING FOR VIRTUAL REALITY APPLICATIONS

- Plastic housing with customized flange
- Power and data transmission by USB and HDMI
- Connectors on rotor and stator side for easy usage



Notes



Request Form Slip Rings

Please fill in all fields below with as much information about your application as possible. Handing over maximum mechanical and electrical information available makes order creation easier for us. If available you can also provide circuit diagrams or 2D / 3D files of the mounting position. If you have any questions about this form please contact us.

Company Name Contact

Address Position

..... Phone

City Post Code Fax

Country E-mail

Application area

Project name Annual qty (PCS)

New development Replacement existing solution Repair / maintenance

Application description (How does slip ring work):

.....

USING ENVIRONMENT

Indoor High vibration Temperature range

Outdoor High humidity IP degree (min.) Altitude

Other requirements:

MECHANICAL PERFORMANCE

Working speed rpm Installation method Horizontal Vertical

Max speed rpm Fixation Shaft Flange

Operating frequency Through-bore Yes No

Max. Outer Diameter mm Housing material

Min. Inner Diameter mm Max. pressure (air, liquid) Bar

Max. Length mm Wire length Rotor mm Wire length Stator mm

Other requirements:

(or drawings in attachment)

ELECTRICAL PERFORMANCE

No. of Rings	Current [amps]		Working Volts	Contact Material	Data Protocol (Fieldbus)	Gas / Fluidic Transmission	Others
	Normal	Max					

Signal requirements:



B-COMMAND GMBH

GRUETZMUEHLENWEG 46
22339 DE HAMBURG

PHONE +49 40-538092-50

FAX +49 40-538092-85

MAIL INFO@B-COMMAND.COM

WWW.B-COMMAND.COM

